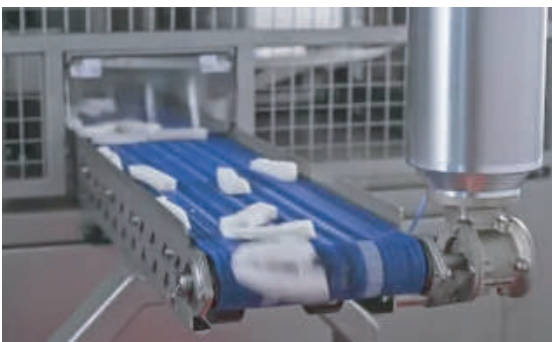


CV-4 VERTICAL SLICER

MAINALI
LONG LIFE TECHNOLOGY

DESIGNED FOR CUTTING BONELESS PRODUCTS



Designed for cutting boneless products. The product temperature can range from -10 to 0°C depending on the product morphology and desired thickness.

The cutting disc is positioned horizontally and has stainless steel protection.

The product is placed vertically on a rotating support with 4 customizable loaders, depending on the type of product to be cut.

The cutting disc and the rotating loading support are driven by independent geared motors with variable speeds.

The cutting thickness is electrically adjustable, and the position of the disc can be fixed allowing precise portions to be obtained.

During the cutting operation, the pneumatic cylinders push the product constantly into the loader to achieve **maximum homogeneity in weight, shape and thickness.**

The cut product is evacuated by means of a conveyor belt with variable speed.

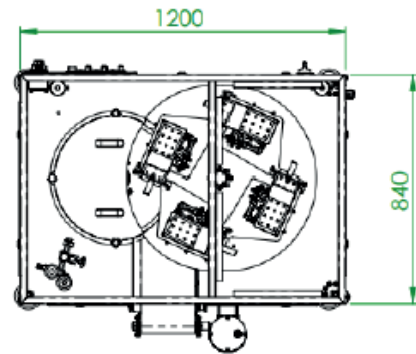
Integrated electrical panel with variable speed drives for the cutting disc, the product support and the conveyor belt.

The equipment protections are made of stainless-steel mesh with doors for product loading and side doors for easy access.

The CV-4 vertical slicer is manufactured of stainless steel and food-grade plastic materials.

TECHNICAL CHARACTERISTICS

ELECTRICAL POWER 2,5kW
AIR CONSUMPTION 2,5l./cycle
WEIGHT 700Kg
VOLTAGE 380-490V III+T or 220V III+T
FOOTPRINT 840mmL/1200mmW/2194mmH
SAMPLE MOULD SIZE 210mmL/90mmW/800mmH



Constant pressure pusher cylinders

Electrical disc height adjustment

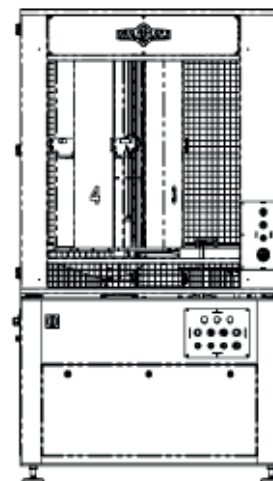
Safety protections

Exit conveyor with variable speed

Cutting disc with variable speed and electric brake

Carousel with 4 compartments, variable speed

Materials stainless steel and food-grade plastics



OPTIONAL

SECURITY BARRIERS IN THE LOADING AREA

CUSTOMIZED MOLDS

PLC WITH RECIPES

INTEGRATED DISC SHARPENER

CUSTOMIZED LOAD-ROTATING SUPPORT

TAILORED PRODUCT EXIT CONVEYOR BELT

